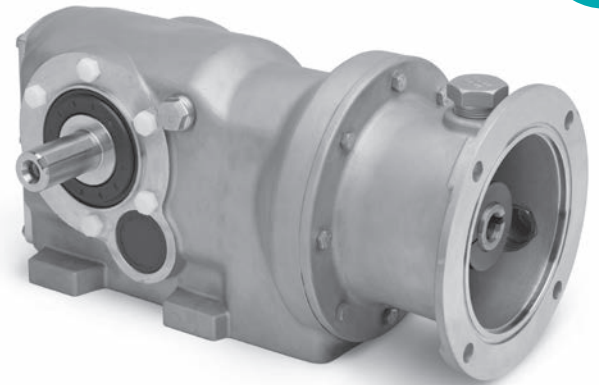


Baldor•Dodge® Quantis Ultra Kleen®



Manufactured using 300 series grade stainless steel, Quantis Ultra Kleen offers a smooth, rounded, universal housing for foot or flange mount in RHB sizes 38 and 48.

With features designed around sanitary equipment principles, Quantis Ultra Kleen is the premier choice for harsh duty and washdown environments such as food handling and pharmaceutical applications.



Performance specifications:

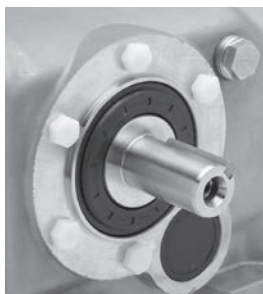
- Maintenance-free operation
- Totally enclosed, no paths for contaminants in or oil out
- RHB sizes 38 and 48
- Torque capacity up to Class II, 5HP input
- Ratios up to 179:1
- NEMA Clamp Collar C-Face for 56C, 143/145TC and 182/184TC
- IEC Clamp Collar B5 flanged input for 71, 80, 90 and 100 frame motors
- Output hollow bore diameters up to 1.4375"
- Factory-filled H1 food grade lubrication
- 3-year standard warranty

Meets Principles of Sanitary Equipment Design*

- Surface textures within 125 μ-inches
- Smooth, rounded surfaces prevent water-pooling
- Capable of high pressure, high temperature (160F/71C) washdowns



Protection from high pressure, high temperature washdown.



Completely sealed enclosure

- Breather-free, sealed for life
- Sanitary plugs for unused mounting holes
- Stainless steel oil fill plug
- O-ring seal between motor and reducer

Laser etched nameplate

- Sanitary and permanent product identification



All stainless steel outputs

- Solid shaft, hollow bore or Q-Loc keyless

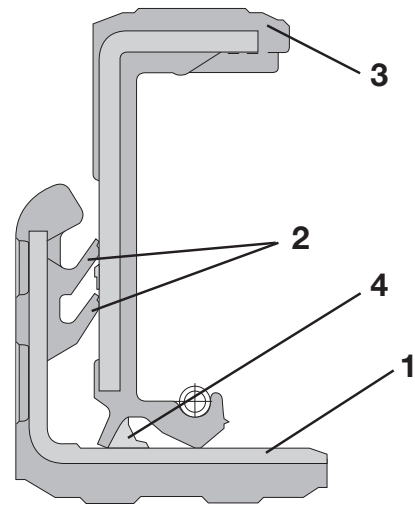


* 2013 Sanitary Equipment Design Taskforce (ed.), 2014. Sanitary equipment design principles: checklist & glossary. AMI Foundation, Washington, D.C.

Premium Sealing is Standard

Quantis Ultra Kleen comes standard with XT harsh duty output seals. XT output seals provide industry-best protection against high pressure sprays, sanitizing solutions and abrasive materials.

1. Protected running surface for shaft seal
 - Prevents seal grooving of output shaft and wear-induced oil leaks
2. Auxiliary seal lips protect against contaminants
3. Rubber coated inner ring and outer ring
 - Water-tight sealing to gearcase and shaft surfaces
4. Grease-packed to prevent dry run of seal lips



Quantis XT-Harsh Duty Seal



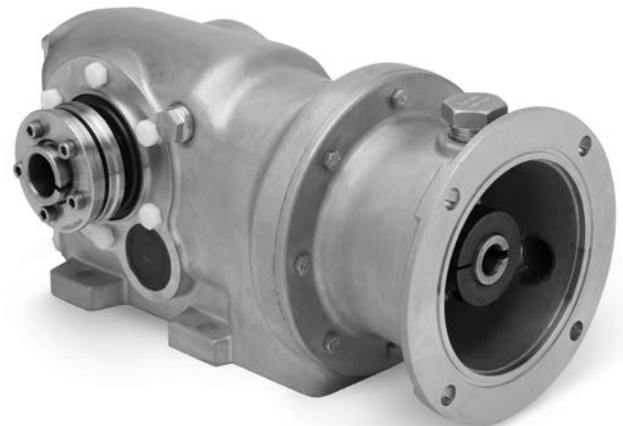
Advanced Q-Loc Keyless Mounting System

Q-Loc Functionality

- Shrink disc is tightened over a split bushing, securing the reducer to the shaft
- Clamping bushing supports non-driven side
- Reversible mounting for left or right
- All stainless steel construction

Benefits of Q-Loc

- No shaft-key required
- Easy-on, easy off mounting
- Multiple bore sizes available by changing split bushing
- Generous shaft tolerance requirement versus shrink disc or straight hollow bore
- Mounts on less-expensive commercial grade shafting



Quantis Right Angle Helical Bevel (RHB) Ratings

Size	C-face Clamp Collar	IEC B5 Clamp Collar	Max Input Power (hp)	Max Torque (in*lbs)	Ratio Range
38	56C-180TC	71-100	5.3	2213	5.65-179.14
48	56C-180TC	71-100	8.7	3985	7.22-169.53

Quantis Ultra Kleen reducers can be packaged with Baldor•Reliance stainless steel motors. Baldor's line of stainless steel motors are the preferred motor in food processing and packaging applications, and are capable of handling corrosive, high pressure and high temperature washdowns.



Baldor•Reliance Stainless Motors Available for Assembly

HP	RPM	Voltage	Motor Frame Size	Enclosure	Part Number	Efficiency
0.5	1750	208-230/460	56C	TENV	VSSEWDM3538	Super E
0.5	1750	208-230/460	56C	TEFC	VSSFWD3538	
0.5	1750	230/460	56C	TENV	VSSWDM3538	
0.75	1750	208-230/460	56C	TENV	VSSEWDM3542	Super E
0.75	1750	208-230/460	56C	TEFC	VSSFWD3542	
0.75	1750	208-230/460	56C	TENV	VSSWDM3542	
1	1750	208-230/460	56C	TENV	VSSEWDM3546	Super E
1	1750	208-230/460	140TC	TENV	VSSEWDM3546T	Super E
1.5	1750	208-230/460	56C	TEFC	VSSEWDM3554	Super E
1.5	1750	208-230/460	140TC	TEFC	VSSEWDM3554T	Super E
2	1750	208-230/460	56C	TEFC	VSSEWDM3558	Super E
2	1750	208-230/460	140TC	TEFC	VSSEWDM3558T	Super E
3	1750	208-230/460	180TC	TEFC	VSSEWDM3611T	Super E
5	1750	208-230/460	180TC	TEFC	VSSEWDM3615T	Super E

NOTE: VSSE models are rated IP69K, and VSSF/VSS models are rated IP56. See Baldor 501 catalog for additional information.

Q-LOC Keyless Bushing Kits

Bore	38	48
1	096390	096393
1.125	N/A	096394
1.25	N/A	096395
1.375	N/A	096396
1.4375	N/A	096397

Straight Hollow Bore Options

Bore	38	48
1.25	X	X
30mm	X	N/A
1.375	N/A	X
35mm	N/A	X
40mm	N/A	X

Solid Shaft Options

Diameter	38	48
1.000	X	N/A
25mm	X	N/A
1.250	N/A	X
30mm	N/A	X
1.375	X	N/A
35mm	X	N/A
1.625	N/A	X
40mm	N/A	X



Baldor Electric Company • P.O. Box 2400 • Fort Smith, AR 72902-2400 U.S.A. • Ph: (1) 479.646.4711

Baldor - Dodge
6040 Ponders Court • Greenville, SC 29615-4617 U.S.A. • Ph: (1) 864.297.4800

www.baldor.com