

## Dodge Quantis In-Line Helical (ILH) and Right Angle Helical Bevel (RHB) Stock Reducers

Quantis gear reducers are available from stock at the following locations: Crossville, TN (CTN) and Dallas, TX (CTX). Same day shipments and expedited freight options are available as needed. Dodge Quantis gear reducers can also be custom made-to-order in a wide variety of sizes, styles, ratios and features. Contact your Dodge Inside Sales Representative or local Field Sales Engineer for further assistance.



### STOCK PARK NUMBER SPECIFICATIONS:

#### In-Line Helical (ILH):

- Sizes 38 – 168
- Foot Mounted Housing Configuration
- Standard Inch Output Shafts
- Nema Clamp Collar: 56C – 280TC (1/4 – 30 Hp)
- Mounting: A1 – Horizontal – Floor Mount
- Lubrication: Mobilgear 600 XP 220
- Nitrile Input & Output Lip Seals
- Blue-Green Paint

#### Right Angle Helical Bevel (RHB):

- Sizes 38 – 88
- Foot Mounted Housing Configuration
  - Standard Inch Output Shaft (A-Side)
- Flange Mounted Housing Configuration
  - Tapered Bore
- Nema Clamp Collar: 56C – 210TC (1/4 – 10 Hp)
- Mounting: A1-A – Horizontal – Floor Mount
- Lubrication: Mobilgear 600 XP 220
- Nitrile Input & Output Lip Seals
- Blue-Green Paint

# QUANTIS STOCK PART NUMBER NOMENCLATURE

Nomenclature String = HB382CN56C / 4.77-A1-S-I-1.000

Stock Part Number = H3C56S00477

Product Type / Housing Style	Size	Input Type	C-Face Frame	Output Type	Ratio
<b>H</b>	<b>3</b>	<b>C</b>	<b>56</b>	<b>S</b>	<b>00477</b>
H = ILH Foot Mounted B = RHB Foot Mounted BF = RHB Flange Mounted	3 = 38 4 = 48 6 = 68 8 = 86 10 = 108 12 = 128 14 = 148 16 = 168	C = NEMA Clamp Collar L = 3pc Coupling	56 = 56C 14 = 140TC 18 = 180TC 21 = 210TC 25 = 250TC 28 = 280TC	S = Std Shaft T = Tapered	000.00

## ILH Foot Mounted Stock Part Numbers

Ratio	Size	Exact Ratio	Part Number	Output RPM	Output Torque (in-lb)	Output OHL (lbf)	Mechanical Input HP (Max)						Warehouse Locations		
							56C	140TC	180TC	210TC	250TC	280TC	CTN	CTX	
4:1	HB 482	4.28	H4C14S00428	409	772	896		5.01							
	HB 482	4.28	H4C18S00428	409	1598	896			10.37						
	HB 682	4.22	H6C18S00422	415	1573	1473			10.35						
	HB 682	3.49	H6C21S00349	501	3349	1498				26.64					
	HB 682	4.22	H6C21S00422	415	3794	1473				24.96					
5:1	HB 382	4.77	H3C56S00477	367	347	518	2.02								
	HB 382	4.77	H3C14S00477	367	860	518		5.01							
	HB 382	5.55	H3C14S00555	315	1000	518		5.00							
	HB 482	5.15	H4C14S00515	340	927	904		5.00							
	HB 382	4.77	H3C18S00477	367	1236	518			7.19						
	HB 482	5.15	H4C18S00515	340	1920	904			10.35						
	HB 682	5.06	H6C21S00506	346	4241	1466				23.27					
	HB 882	4.87	H8C25S00487	359	7972	2656					45.45				
	HB 1082	5.51	H10C28S00551	318	14990	3312						75.54			
	HB 1282	4.83	H12C28S00483	362	16092	4392						92.51			
6:1	HB 382	6.16	H3C56S00616	284	448	518	2.02								
	HB 382	6.16	H3C14S00616	284	1110	518		5.00							
	HB 382	6.71	H3C14S00671	261	1205	518		4.99							
	HB 482	6.06	H4C14S00606	289	1092	904		5.00							
	HB 382	6.71	H3C18S00671	261	1452	518			6.01						
	HB 482	6.06	H4C18S00606	289	2260	904			10.36						
	HB 482	6.90	H4C18S00690	254	2573	904			10.35						
	HB 682	5.93	H6C21S00593	295	4337	1466				20.31					
	HB 682	6.72	H6C21S00672	260	5973	1466				24.68					
	HB 882	5.94	H8C25S00594	295	9723	2656					45.45				
7.5:1	HB 382	7.50	H3C56S00750	233	545	279	2.02								
	HB 382	8.75	H3C56S00875	200	636	279	2.02								
	HB 382	7.50	H3C14S00750	233	1283	279		4.75							
	HB 382	7.52	H3C14S00752	233	1355	279		5.00							
	HB 382	8.75	H3C14S00875	200	1576	279		5.00							
	HB 482	8.29	H4C14S00829	211	1493	919		5.00							
	HB 382	7.50	H3C18S00750	233	1509	279			5.59						
	HB 482	8.29	H4C18S00829	211	2925	919			9.80						
	HB 682	8.11	H6C21S00811	216	6565	1057				22.48					
	HB 882	7.59	H8C25S00759	231	11796	2252					43.15				
10:1	HB 382	9.70	H3C56S00970	180	705	279	2.02								
	HB 382	9.70	H3C14S00970	180	1698	279		4.86							
	HB 482	9.76	H4C14S00976	179	1758	919		5.00							
	HB 382	9.70	H3C18S00970	180	1698	279			4.86						
	HB 482	9.76	H4C18S00976	179	3090	919			8.79						
	HB 682	9.73	H6C21S00973	180	7067	1057				20.17					
	HB 882	9.26	H8C21S00926	189	9544	2252					28.62				
	HB 882	9.26	H8C25S00926	189	12464	2252						37.37			
	HB 1082	9.62	H10C28S00962	182	27438	3705						79.20			

Notes: Refer to page 6 for ILH Drawing/Dimensions

**ILH Foot Mounted Stock Part Numbers (continued)**

Ratio	Size	Exact Ratio	Part Number	Output RPM	Output Torque (in-lb)	Output OHL (lbf)	Mechanical Input HP (Max)						Warehouse Locations	
							56C	140TC	180TC	210TC	250TC	280TC	CTN	CTX
12:1	HB 382	11.82	H3C56S01182	148	859	416	2.02							
	HB 382	10.57	H3C14S01057	166	1747	279		4.59						
	HB 382	11.82	H3C14S01182	148	1813	416		4.26						
	HB 382	12.92	H3C14S01292	135	1867	416		4.01						
	HB 382	11.82	H3C18S01182	148	1813	416			4.26					
	HB 482	12.25	H4C56S01225	143	891	937	2.02							
	HB 482	10.93	H4C14S01093	160	1970	919		5.00						
	HB 482	12.25	H4C14S01225	143	2208	937		5.00						
	HB 482	10.93	H4C18S01093	160	3208	919			8.15					
	HB 482	12.25	H4C18S01225	143	331	937			7.55					
	HB 682	11.40	H6C18S01140	154	4254	962			10.36					
	HB 682	11.40	H6C21S01140	154	7081	962				17.25				
HB 882	10.85	H8C21S01085	161	10613	2252				27.16					
HB 882	10.85	H8C25S01085	161	13095	2252					33.51				
15:1	HB 382	14.18	H3C56S01418	123	1031	416	2.02							
	HB 482	14.68	H4C56S01468	119	1068	937	2.02							
	HB 382	14.18	H3C14S01418	123	1925	416		3.77						
	HB 382	15.64	H3C14S01564	112	1947	416		3.46						
	HB 482	14.68	H4C14S01468	119	2646	937		5.00						
	HB 382	14.18	H3C18S01418	123	1925	416			3.77					
	HB 482	14.68	H4C18S01468	119	3532	937			6.68					
	HB 682	13.59	H6C18S01359	129	5070	962			10.36					
	HB 682	14.74	H6C18S01474	119	5499	962			10.36					
	HB 682	13.59	H6C21S01359	129	7081	962				14.47				
	HB 682	14.74	H6C21S01474	119	7081	962				13.34				
	HB 882	14.63	H8C21S01463	120	12691	2954				24.09				
HB 882	14.63	H8C25S01463	120	14540	2954					27.60				
HB 1082	14.63	H10C28S01463	120	27438	4037						52.08			
18:1	HB 382	17.33	H3C56S01733	101	1147	416	1.84							
	HB 482	17.55	H4C56S01755	100	1276	1142	2.02							
	HB 382	17.33	H3C14S01733	101	1947	416		3.12						
	HB 482	17.55	H4C14S01755	100	3071	1142		4.86						
	HB 482	16.17	H4C18S01617	108	3643	937			6.26					
	HB 482	17.55	H4C18S01755	100	3738	1142			5.91					
	HB 682	16.45	H6C18S01645	106	5892	962			9.95					
	HB 682	17.82	H6C18S01782	98	6136	1306			9.56					
	HB 682	16.45	H6C21S01645	106	7081	962				11.95				
	HB 882	17.27	H8C21S01727	101	13865	2954				22.29				
	HB 882	17.27	H8C25S01727	101	14870	2954					23.91			
	HB 1082	17.19	H10C28S01719	102	27438	4037						44.32		
20:1	HB 382	19.64	H3C56S01964	89	1183	546	1.67							
	HB 382	21.67	H3C56S02167	81	1210	546	1.55							
	HB 482	20.95	H4C56S02095	84	1482	1142	1.96							
	HB 382	19.64	H3C14S01964	89	1947	546		2.75						
	HB 382	21.67	H3C14S02167	81	1947	546		2.49						
	HB 482	20.95	H4C14S02095	84	3352	1142		4.44						
	HB 482	20.95	H4C18S02095	84	3954	1142			5.24					
	HB 682	20.20	H6C18S02020	87	6524	1306			8.97					
	HB 682	20.20	H6C21S02020	87	7081	1306				9.73				
	HB 882	18.72	H8C21S01872	93	14468	3437				21.46				
	HB 882	20.81	H8C21S02081	84	14870	3437				19.84				
	HB 882	20.81	H8C25S02081	84	14870	3437					19.84			
HB 1082	19.48	H10C25S01948	90	26711	4288					38.07				
HB 1282	21.41	H12C28S02141	82	45140	4478						58.54			
25:1	HB 382	24.50	H3C56S02450	71	1241	546	1.41							
	HB 382	24.50	H3C14S02450	71	1947	546		2.21						
	HB 482	23.07	H4C18S02307	76	3983	1142			4.79					
	HB 682	25.55	H6C14S02555	68	4014	1306		4.36						
	HB 682	25.55	H6C18S02555	68	7081	1306			7.70					
	HB 682	25.55	H6C21S02555	68	7081	1306				7.70				
	HB 882	22.61	H8C21S02261	77	14870	3437				18.26				
	HB 882	25.01	H8C25S02501	70	14870	3437					16.51			
	HB 1082	24.94	H10C25S02494	70	27438	4288					30.55			
HB 1282	25.05	H12C28S02505	70	45140	5578						50.04			

Notes: Refer to page 6 for ILH Drawing/Dimensions

## ILH Foot Mounted Stock Part Numbers (continued)

Ratio	Size	Exact Ratio	Part Number	Output RPM	Output Torque (in-lb)	Output OHL (lbf)	Mechanical Input HP (Max)						Warehouse Locations	
							56C	140TC	180TC	210TC	250TC	280TC	CTN	CTX
28:1	HB 382	27.97	H3C56S02797	63	1272	881	1.26							
	HB 482	26.53	H4C56S02653	66	1557	1142	1.63							
	HB 482	28.74	H4C56S02874	61	1580	1517	1.53							
	HB 382	27.97	H3C14S02797	63	1947	881		1.93						
	HB 482	26.53	H4C14S02653	66	3749	1142		3.92						
	HB 482	28.74	H4C14S02874	61	3905	1517		3.77						
	HB 482	26.53	H4C18S02653	66	3983	1142			4.17					
	HB 482	28.74	H4C18S02874	61	3983	1517			3.85					
	HB 682	28.25	H6C18S02825	62	7081	1940			6.96					
HB 882	26.85	H8C18S02685	65	9257	3437			9.57						
HB 882	26.85	H8C21S02685	65	14870	3437				15.38					
30:1	HB 382	31.80	H3C56S03180	55	1299	881	1.13							
	HB 383	33.82	H3C56S03382	52	1947	881	1.60							
	HB 382	34.04	H3C56S03404	51	1313	881	1.07							
	HB 482	31.77	H4C56S03177	55	1607	1517	1.40							
	HB 382	31.80	H3C14S03180	55	1947	881		1.70						
	HB 482	31.77	H4C14S03177	55	3983	1517		3.48						
	HB 682	30.60	H6C14S03060	57	4346	1940		3.94						
	HB 682	34.49	H6C14S03449	51	4582	1940		3.69						
	HB 482	31.77	H4C18S03177	55	3983	1517			3.48					
	HB 682	30.60	H6C18S03060	57	7081	1940			6.43					
	HB 682	34.49	H6C18S03449	51	7081	1940			5.70					
	HB 882	31.32	H8C18S03132	56	9526	4471			8.45					
	HB 882	31.32	H8C21S03132	56	14870	4471				13.18				
	HB 1082	32.81	H10C21S03281	53	27437	5138				23.22				
	HB 1082	32.81	H10C25S03281	53	27437	5138					23.22			
HB 1282	30.28	H12C25S03028	58	36083	6464					33.09				
HB 1282	30.28	H12C28S03028	58	45140	6464						41.39			
HB 1482	30.28	H14C28S03028	58	70808	7911						64.93			
40:1	HB 382	39.24	H3C56S03924	45	1339	881	0.95							
	HB 383	39.28	H3C56S03928	45	1947	881	1.38							
	HB 482	37.06	H4C56S03706	47	1646	1517	1.23							
	HB 383	39.28	H3C14S03928	45	1947	881		1.38						
	HB 483	35.59	H4C14S03559	49	3983	1517		3.11						
	HB 482	37.06	H4C14S03706	47	2902	1517		2.98						
	HB 682	37.76	H6C14S03776	46	4773	1940		3.51						
	HB 683	37.80	H6C18S03780	46	7081	1940			5.20					
	HB 882	37.27	H8C18S03727	47	9800	4471			7.30					
	HB 1082	37.79	H10C21S03779	46	27438	5138				20.16				
	HB 1082	40.82	H10C21S04082	43	27438	5138				18.66				
	HB 1283	37.57	H12C25S03757	47	43930	6464					32.47			
HB 1682	39.45	H16C28S06945	44	84253	17770						59.30			
45:1	HB 383	42.53	H3C56S04253	41	1947	881	1.27							
	HB 482	41.26	H4C56S04126	42	1670	1517	1.12							
	HB 483	45.91	H4C56S04591	38	3338	1884	2.02							
	HB 482	41.26	H4C14S04126	42	3983	1517		2.68						
	HB 483	41.38	H4C14S04138	42	3983	1517		2.67						
	HB 483	45.91	H4C14S04591	38	3983	1884		2.41						
	HB 682	42.06	H6C14S04206	42	4977	1940		3.29						
	HB 682	42.06	H6C18S04206	42	7081	1940			4.67					
	HB 683	45.41	H6C18S04541	39	7081	2765			4.33					
	HB 883	41.19	H8C18S04119	42	14870	4471			10.02					
	HB 883	41.19	H8C21S04119	42	14870	4471				10.02				
	HB 1082	44.31	H10C21S04431	39	27438	6261				17.19				
	HB 1483	45.44	H14C25S04544	39	70808	9679					43.27			
	HB 1483	45.44	H14C28S04544	39	70808	9679						43.27		
	50:1	HB 383	58.30	H3C56S05830	30	1947	1117	0.93						
HB 483		55.92	H4C56S05592	31	3983	1884	1.98							
HB 483		50.00	H4C14S05000	35	3983	1884		2.21						
HB 483		55.92	H4C14S05592	31	3983	1884		1.98						
HB 682		48.09	H6C14S04809	36	5272	2765		3.04						
HB 683		53.47	H6C14S05347	33	7081	2765		3.68						
HB 883		57.93	H8C18S05793	30	14870	4856			7.13					
HB 883		49.42	H8C21S04942	35	14870	4856				8.35				
HB 1083		51.97	H10C18S05197	34	19387	6261				10.36				
HB 1083		51.97	H10C21S05197	34	27438	6261					14.66			
HB 1283		57.56	H12C25S05756	30	45140	7974					21.78			
HB 1683	53.56	H16C28S05356	33	123914	17770						64.24			

Notes: Refer to page 6 for ILH Drawing/Dimensions

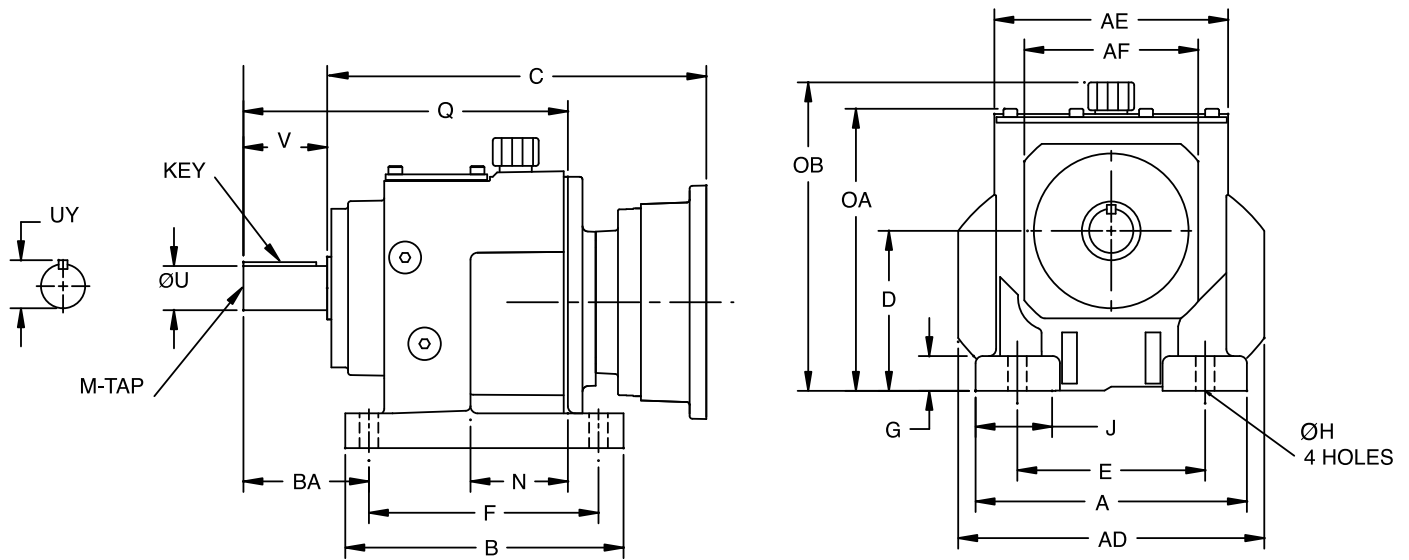
## ILH Foot Mounted Stock Part Numbers (continued)

Ratio	Size	Exact Ratio	Part Number	Output RPM	Output Torque (in-lb)	Output OHL (lbf)	Mechanical Input HP (Max)						Warehouse Locations	
							56C	140TC	180TC	210TC	250TC	280TC	CTN	CTX
60:1	HB 483	61.14	H4C56S06114	29	3983	1884	1.81							
	HB 483	61.14	H4C14S06114	29	3983	1884		1.81						
	HB 683	59.91	H6C14S05991	29	7081	2765		3.28						
	HB 1083	60.9	H10C18S06090	29	22716	6261			10.36					
	HB 1083	60.9	H10C21S06090	29	27438	6261				12.51				
	HB 1483	62.12	H14C25S06212	28	70808	9679					31.65			
	HB 1483	62.12	H14C28S06212	28	70808	9679					31.65			
75:1	HB 483	73.99	H4C56S07399	24	3983	1986	1.49							
	HB 483	73.99	H4C14S07399	24	3983	1986		1.49						
	HB 683	73.30	H6C14S07330	24	7081	3091		2.68						
	HB 883	74.88	H8C14S07488	23	13493	4856		5.00						
	HB 883	74.88	H8C18S07488	23	14870	4856			5.51					
	HB 1083	82.14	H10C18S08214	21	27438	7343			9.28					
	HB 1083	71.59	H10C21S07159	24	27438	7343				10.64				
	HB 1083	82.14	H10C21S08214	21	27438	7343				9.28				
	HB 1483	81.04	H14C25S08104	22	70808	11827				24.26				
	HB 1683	79.75	H16C28S07975	22	123914	17770					43.14			
100:1	HB 483	102.52	H4C56S10252	17	3983	1986	1.08							
	HB 683	104.80	H6C14S10480	17	7081	3091		1.88						
	HB 883	102.61	H8C18S10261	17	14870	4856			4.02					
	HB 1083	96.94	H10C18S09694	18	27438	7343			7.86					
	HB 1083	96.94	H10C21S09694	18	27438	7343				7.86				
	HB 1283	103.80	H12C21S10380	17	45140	8992				12.08				
	HB 1483	107.42	H14C21S10742	16	70808	12725				18.30				
	HB 1483	107.42	H14C25S10742	16	70808	12725					18.30			
	HB 1683	107.48	H16C25S10748	16	123914	17770				32.01				
	HB 1683	107.48	H16C28S10748	16	123914	17770					32.01			
125:1	HB 483	132.34	H4C56S13234	13	3983	1986	0.84							
	HB 683	126.41	H6C56S12641	14	7081	3170	1.56							
	HB 883	129.79	H8C18S12979	13	14870	4856			3.18					
	HB 1083	126.9	H10C18S12690	14	27438	7343			6.00					
	HB 1283	123.53	H12C21S12353	14	45140	8992				10.15				
	HB 1483	123.37	H14C21S12337	14	70808	12725				15.94				
150:1	HB 1083	140.37	H10C18S14037	12	27438	7343			5.43					
	HB 1083	150.70	H10C18S15070	12	27438	7343			5.06					

**Notes:** Refer to page 6 for ILH Drawing/Dimensions

# DIMENSIONS

## ILH Foot Mounted, Clamp Collar C-Face Reducers



Size	Frame Size	A	B	C	D	E	F	G	ØH	J	N	Q	V	AD	AE	AF	BA
HB38	56C	5.77	6.30	9.57	3.54	4.33	5.12	0.79	0.39	1.33	2.33	7.48	1.97	6.42	5.07	3.77	2.95
	140TC			10.24													
	180TC			9.98													
HB48	56C	7.68	7.87	10.73	4.53	5.32	6.50	0.98	0.53	2.17	2.76	9.17	2.36	8.66	6.61	4.92	3.54
	140TC			11.40													
	180TC			12.97													
HB68	56C	9.25	9.65	11.97	5.51	6.69	8.07	1.18	0.69	2.36	3.27	11.38	3.15	10.35	8.14	6.32	4.53
	140TC			12.64													
	180TC			14.21													
	210TC			15.33													
HB88	56C	11.42	12.21	13.88	7.09	8.47	10.24	1.77	0.69	2.95	4.26	14.41	3.94	13.07	10.24	7.87	5.52
	140TC			14.55													
	180TC			16.06													
	210TC			17.95													
HB108	250TC	13.39	14.37	18.12	8.86	9.84	12.21	1.97	0.87	3.58	4.94	16.96	4.72	16.14	12.05	9.85	6.28
	280TC			18.86													
HB128	210TC	15.75	17.32	21.55	9.84	11.42	14.57	2.17	1.02	4.33	5.63	20.23	5.51	18.19	14.38	11.82	7.28
	250TC			21.41													
	280TC			20.87													
HB148	210TC	17.72	19.29	22.86	12.40	13.39	16.14	2.36	1.30	4.34	6.30	22.87	6.69	20.07	16.38	11.82	8.66
	250TC			22.62													
	280TC			23.54													
HB168	250TC	20.87	23.23	25.45	13.98	14.96	19.69	2.56	1.54	5.71	7.26	23.45	8.27	22.84	18.11	15.75	10.24
	280TC			26.36													

Size	OA	OB	ØU	UY	KEY	M-TAP
HB38	6.21	N/A	1.000	1.11	1/4 x 1/4 x 1-5/8	3/8-16 UNC x 0.87
HB48	7.98	8.73	1.250	1.36	1/4 x 1/4 x 2	3/8-16 UNC x 0.87
HB68	9.65	10.58	1.625	1.79	3/8 x 3/8 x 2-5/8	5/8-11 UNC x 1.42
HB88	12.21	13.17	2.125	2.35	1/2 x 1/2 x 3-1/4	3/4-10 UNC x 1.65
HB108	15.32	16.20	2.375	2.65	5/8 x 5/8 x 3-15/16	3/4-10 UNC x 1.65
HB128	17.12	18.08	2.875	3.20	3/4 x 3/4 x 4-1/2	3/4-10 UNC x 1.65
HB148	19.71	20.55	3.625	4.01	7/8 x 7/8 x 5-5/8	1-8 UNC x 1.97
HB168	23.07	23.92	4.000	4.44	1 x 1 x 7-1/8	1-8 UNC x 1.97



## RHB Foot Mounted Stock Part Number

Ratio	Size	Exact Ratio	Part Number	Output RPM	Output Torque (in-lb)	Output OHL (lbf)	Mechanical Input HP (Max)				Warehouse Locations
							56C	140TC	180TC	210TC	CTN
5:1	BB 383	5.65	B3C56S00565	310	411	589	2.02				
	BB 383	5.65	B3C14S00565	310	1019	589		5.00			
	BB 383	5.65	B3C18S00565	310	1140	589			5.60		
	BB 483	7.22	B4C14S00722	242	1302	1032		5.01			
	BB 483	7.22	B4C18S00722	242	2573	1032			9.90		
	BB 683	5.36	B6C14S00536	326	967	2503		5.01			
	BB 683	6.44	B6C18S00644	272	2404	2503			10.36		
	BB 883	5.54	B8C21S00554	316	5377	4505				26.94	
10:1	BB 383	10.72	B3C56S01072	163	779	620	2.02				
	BB 383	10.72	B3C14S01072	163	1404	620		3.64			
	BB 483	10.15	B4C56S01015	172	738	1032	2.02				
	BB 483	10.15	B4C14S01015	172	1825	1032		4.99			
	BB 483	10.15	B4C18S01015	172	2573	1032			7.04		
	BB 683	10.40	B6C18S01040	168	3880	2503			10.36		
	BB 883	9.41	B8C21S00941	186	7526	4512				22.21	
15:1	BB 383	15.91	B3C56S01591	110	1157	617	2.02				
	BB 383	17.99	B3C14S01799	97	2213	726		3.41			
	BB 483	15.42	B4C56S01542	113	1122	1110	2.02				
	BB 483	15.42	B4C14S01542	113	2780	1110		5.01			
	BB 483	15.42	B4C18S01542	113	3985	1110			7.17		
	BB 683	14.35	B6C18S01435	122	5355	2503			10.36		
	BB 883	14.04	B8C21S01404	125	12592	4512				24.90	
20:1	BB 383	19.78	B3C56S01978	89	1438	726	2.02				
	BB 383	19.78	B3C14S01978	89	2213	726		3.11			
	BB 483	20.54	B4C56S02054	85	1494	1149	2.02				
	BB 483	20.54	B4C14S02054	85	3373	1149		4.56			
	BB 483	20.54	B4C18S02054	85	3985	1149			5.39		
	BB 683	21.22	B6C18S02122	82	7005	2503			9.17		
	BB 883	19.75	B8C21S01975	89	13947	4512				19.60	
25:1	BB 383	24.16	B3C56S02416	72	1648	726	1.89				
	BB 383	24.16	B3C14S02416	72	2213	726		2.54			
	BB 483	24.85	B4C56S02485	70	1774	1149	1.98				
	BB 483	24.85	B4C14S02485	70	3717	1149		4.15			
	BB 683	25.42	B6C18S02542	69	7262	2503			7.93		
	BB 883	25.53	B8C18S02553	69	9530	4512			10.36		
	BB 883	25.53	B8C21S02553	69	14612	4512				15.89	
30:1	BB 383	31.59	B3C56S03159	55	2213	926	1.94				
	BB 383	31.59	B3C14S03159	55	2213	926		1.91			
	BB 483	28.90	B4C56S02890	61	2102	1226	2.02				
	BB 483	28.90	B4C14S02890	61	3985	1226		3.83			
	BB 683	30.38	B6C14S03038	58	5478	2503		5.01			
	BB 683	30.38	B6C18S03038	58	7262	2503			6.64		
	BB 683	27.99	B6C18S02799	63	7262	2503			7.20		
	BB 883	30.87	B8C18S03087	57	10635	4512			9.57		
	BB 883	34.40	B8C21S03440	51	14612	4512				11.80	
BB 883	28.50	B8C21S02850	61	14612	4512				14.24		

**Notes:** Refer to page 9 for RHB Drawing/Dimensions

## RHB Foot Mounted Stock Part Number (continued)

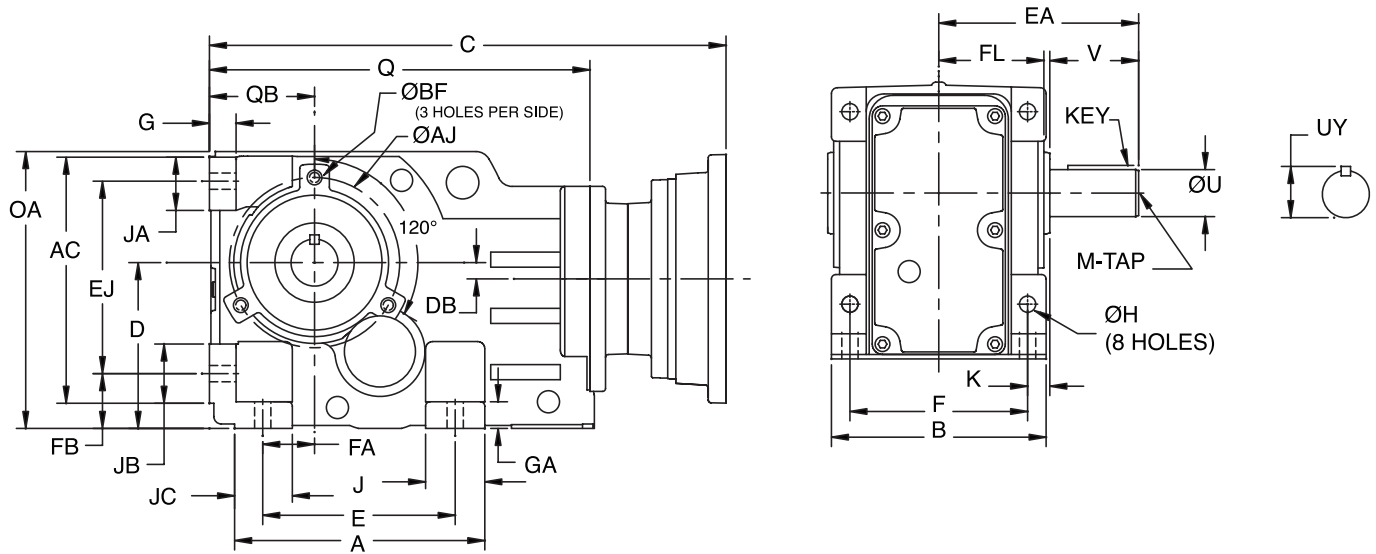
Ratio	Size	Exact Ratio	Part Number	Output RPM	Output Torque (in-lb)	Output OHL (lbf)	Mechanical Input HP (Max)				Warehouse Locations
							56C	140TC	180TC	210TC	CTN
40:1	BB 383	39.73	<b>B3C56S03973</b>	44	2213	926	1.55				
	BB 383	39.73	<b>B3C14S03973</b>	44	2213	926		1.55			
	BB 483	40.60	<b>B4C56S04060</b>	43	2954	1226	2.02				
	BB 483	40.60	<b>B4C14S04060</b>	43	3985	1226		2.73			
	BB 683	39.39	<b>B6C14S03939</b>	44	7101	2503		5.01			
	BB 683	39.39	<b>B6C18S03939</b>	44	7262	2503			5.12		
	BB 883	41.50	<b>B8C18S04150</b>	42	14612	4512			9.78		
	BB 883	41.50	<b>B8C21S04150</b>	42	14612	4512				9.78	
50:1	BB 383	49.38	<b>B3C14S04938</b>	35	2213	1150		1.24			
	BB 483	54.49	<b>B4C56S05449</b>	32	3964	1591	2.02				
	BB 483	49.65	<b>B4C14S04965</b>	35	3985	1591		2.23			
	BB 683	51.96	<b>B6C14S05196</b>	34	7262	2503		3.88			
	BB 883	49.80	<b>B8C18S04980</b>	35	14612	4512			8.15		
	BB 1083	52.08	<b>B10C18S05208</b>	34	19436	5586			10.36		
60:1	BB 483	60.08	<b>B4C14S06008</b>	29	3985	1591		1.84			
	BB 683	58.23	<b>B6C14S05823</b>	30	7262	2503		3.46			
	BB 883	58.37	<b>B8C14S05837</b>	30	10523	4512		5.01			
	BB 883	58.37	<b>B8C18S05837</b>	30	14612	4512			6.95		
75:1	BB 483	83.25	<b>B4C56S08325</b>	21	3985	1878	1.33				
	BB 483	83.25	<b>B4C14S08325</b>	21	3985	1878		1.33			
	BB 683	83.40	<b>B6C56S08340</b>	21	6067	2503	2.02				
	BB 683	83.40	<b>B6C14S08340</b>	21	7262	2503		2.42			
	BB 883	84.21	<b>B8C14S08421</b>	21	14612	4512		4.82			
	BB 883	75.45	<b>B8C18S07545</b>	23	14612	4512			5.38		
	BB 883	84.21	<b>B8C18S08421</b>	21	14612	4512			4.82		
100:1	BB 683	99.55	<b>B6C56S09955</b>	18	7046	2503	1.97				
	BB 683	99.55	<b>B6C14S09955</b>	18	7262	2503		2.03			
	BB 883	103.38	<b>B8C56S10338</b>	17	7521	4512		2.02			
	BB 883	103.38	<b>B8C14S10338</b>	17	14612	4512		3.92			
150:1	BB 483	169.53	<b>B4C56S16953</b>	10	3985	1878	0.65				
	BB 683	150.98	<b>B6C56S15098</b>	12	7262	2503	1.34				
	BB 683	126.09	<b>B6C14S12609</b>	14	7262	2503		1.60			
	BB 883	144.58	<b>B8C56S14458</b>	12	10445	4512	2.01				
	BB 883	120.42	<b>B8C14S12042</b>	15	14612	4512		3.37			
	BB 883	144.58	<b>B8C14S14458</b>	12	14612	4512		2.81			
200:1	BB 883	193.24	<b>B8C56S19324</b>	9	10992	4512	1.58				
250:1	BB 683	243.72	<b>B6C56S24372</b>	7	7262	2503	0.83				
	BB 883	302.68	<b>B8C56S30268</b>	6	11638	4512	1.07				
300:1	BB 883	302.68	<b>B8C56S30268</b>	6	11638	4512	1.07				
	BB 1483	306.08	<b>B14C18S30608</b>	6	66221	13027			6.01		

**Notes:** Refer to page 9 for RHB Drawing/Dimensions



# DIMENSIONS

## RHB Foot Mounted, Clamp Collar C-Face Reducers Solid Output Shaft



Size	Frame Size	A	B	C	D	E	F	G	ØH	J	K	Q	V	AC	ØAJ	ØBF	DB
BB38	56C	5.55	4.72	12.44	3.94	4.33	3.94	0.63	0.43	1.26	0.39	8.94	1.97	5.79	3.94	M8 x .55 DEEP	0.37
	140TC			13.11													
	180TC			13.43													
BB48	56C	6.65	5.71	13.62	4.41	5.12	4.72	0.71	0.43	1.58	0.59	10.12	2.36	6.54	4.53	M10 x .66 DEEP	0.43
	140TC			14.29													
	180TC			14.61													
BB68	56C	6.69	6.69	15.50	5.51	4.72	5.51	0.87	0.53	1.97	0.79	12.21	3.15	8.19	5.12	M12 x .82 DEEP	0.26
	140TC			16.17													
	180TC			17.75													
BB88	56C	8.07	7.87	17.79	7.09	5.91	6.50	0.98	0.71	2.17	0.89	14.72	3.94	10.31	6.50	M12 x .82 DEEP	0.79
	140TC			18.46													
	180TC			19.96													
	210TC			21.85													

Size	EA	EJ	FA	FB	FL	GA	JA	JB	JC	OA	QB	ØU	UY	KEY	M-TAP
BB38	4.33	4.53	1.10	1.26	2.28	0.63	1.22	1.30	1.38	6.58	2.48	1.000	1.11	1/4 x 1/4 x 1-5/8	3/8-16 UNC x 0.87
BB48	5.31	5.12	1.38	1.46	2.80	0.71	1.42	1.58	1.54	7.36	2.80	1.250	1.37	1/4 x 1/4 x 1-7/8	3/8-16 UNC x 0.87
BB68	6.69	6.30	1.18	1.77	3.39	0.87	1.89	1.97	1.97	9.09	3.54	1.625	1.80	3/8 x 3/8 x 2-5/8	5/8-11 UNC x 1.42
BB88	8.07	7.87	1.58	2.17	3.94	0.98	2.56	2.17	2.17	11.61	4.41	2.000	2.22	1/2 x 1/2 x 3-1/4	3/4-10 UNC x 1.65

## RHB Tapered Hollow Stock Part Number

Ratio	Size	Exact Ratio	Part Number	Output RPM	Output Torque (in-lb)	Output OHL (lbf)	Mechanical Input HP (Max)				Warehouse Locations
							56C	140TC	180TC	210TC	CTN
5:1	BF 383	5.65	BF3C56T00565	310	411	589	2.02				
	BF 383	5.65	BF3C14T00565	310	1019	589		5.00			
	BF 383	5.65	BF3C18T00565	310	1140	589			5.60		
	BF 483	7.22	BF4C14T00722	242	1302	1032		5.01			
	BF 483	7.22	BF4C18T00722	242	2573	1032			9.90		
	BF 683	5.36	BF6C14T00536	326	967	2503		5.01			
	BF 683	6.44	BF6C18T00644	272	2404	2503			10.36		
	BF 883	5.54	BF8C21T00554	316	5377	4505				26.94	
10:1	BF 383	10.72	BF3C56T01072	163	779	620	2.02				
	BF 383	10.72	BF3C14T01072	163	1404	620		3.64			
	BF 483	10.15	BF4C56T01015	172	738	1032	2.02				
	BF 483	10.15	BF4C14T01015	172	1825	1032		4.99			
	BF 483	10.15	BF4L14T01015*	172	1825	1032		4.99			
	BF 483	11.95	BF4C14T01195	146	2155	1110		5.01			
	BF 483	10.15	BF4C18T01015	172	2573	1032			7.04		
	BF 683	10.40	BF6C18T01040	168	3880	2503			10.36		
	BF 883	9.41	BF8C21T00941	186	7526	4512				22.21	
15:1	BF 383	15.91	BF3C56T01591	110	1157	617	2.02				
	BF 383	15.91	BF3C14T01591	110	2213	617		3.86			
	BF 383	17.99	BF3C14T01799	97	2213	726		3.41			
	BF 483	15.42	BF4C56T01542	113	1122	1110	2.02				
	BF 483	15.42	BF4C14T01542	113	2780	1110		5.01			
	BF 483	16.79	BF4L14T01679*	104	3019	1110		4.99			
	BF 483	15.42	BF4C18T01542	113	3985	1110			7.17		
	BF 683	14.35	BF6C18T01435	122	5355	2503			10.36		
	BF 883	14.04	BF8C21T01404	125	12592	4512				24.90	
20:1	BF 383	19.78	BF3C56T01978	89	1438	726	2.02				
	BF 383	19.78	BF3C14T01978	89	2213	726		3.11			
	BF 483	20.54	BF4C56T02054	85	1494	1149	2.02				
	BF 483	20.54	BF4C14T02054	85	3373	1149		4.56			
	BF 483	22.54	BF4C14T02254	78	3540	1149		4.36			
	BF 483	20.54	BF4C18T02054	85	3985	1149			5.39		
	BF 683	21.22	BF6C18T02122	82	7005	2503			9.17		
	BF 683	23.16	BF6C18T02316	76	7192	2503			8.62		
	BF 883	19.75	BF8C21T01975	89	13947	4512				19.60	
25:1	BF 383	24.16	BF3C56T02416	72	1648	726	1.89				
	BF 383	24.16	BF3C14T02416	72	2213	726		2.54			
	BF 483	24.85	BF4C56T02485	70	1774	1149	1.98				
	BF 483	24.85	BF4C14T02485	70	3717	1149		4.15			
	BF 683	25.42	BF6C18T02542	69	7262	2503			7.93		
	BF 883	25.53	BF8C18T02553	69	9530	4512			10.36		
	BF 883	23.54	BF8C21T02354	74	14612	4512				17.23	
	BF 883	25.53	BF8C21T02553	69	14612	4512				15.89	
30:1	BF 383	31.59	BF3C56T03159	55	2213	926	1.94				
	BF 383	31.59	BF3C14T03159	55	2213	926		1.91			
	BF 483	28.90	BF4C56T02890	61	2102	1226	2.02				
	BF 483	28.90	BF4C14T02890	61	3985	1226		3.83			
	BF 683	30.38	BF6C14T03038	58	5478	2503		5.01			
	BF 683	27.99	BF6C18T02799	63	7262	2503			7.20		
	BF 883	30.87	BF8C18T03087	57	10635	4512			9.57		
	BF 883	28.50	BF8C21T02850	61	14612	4512				14.24	

**Notes:** Refer to page 12 for RHB Drawing/Dimensions. Twin Tapered Bushings are not included in part number. Order as a separate item. \*3pc Coupling input.

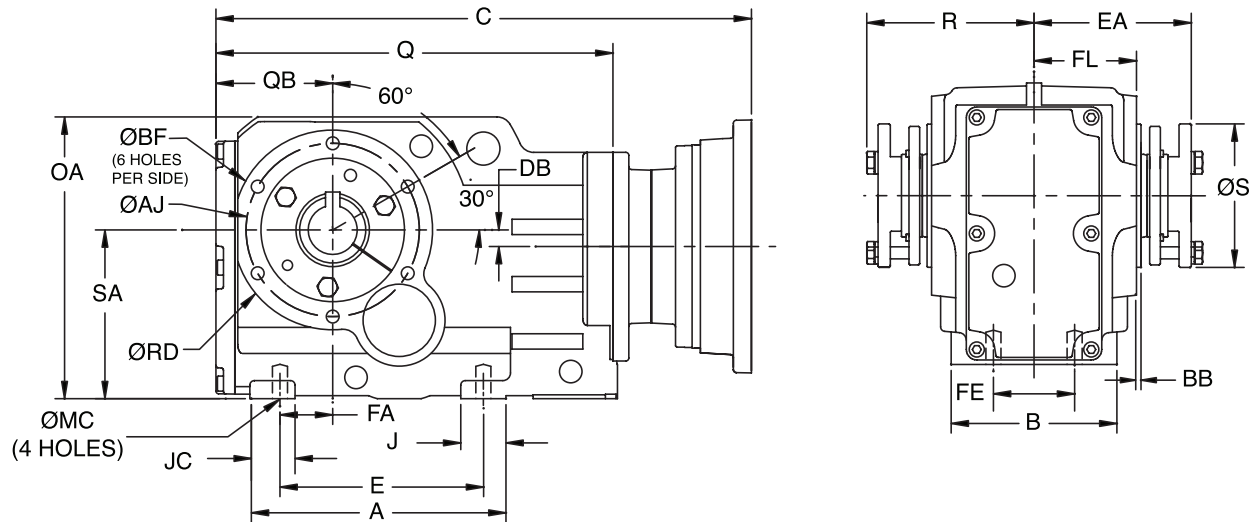
## RHB Tapered Hollow Stock Part Number (continued)

Ratio	Size	Exact Ratio	Part Number	Output RPM	Output Torque (in-lb)	Output OHL (lbf)	Mechanical Input HP (Max)				Warehouse Locations
							56C	140TC	180TC	210TC	CTN
40:1	BF 383	39.73	<b>BF3C56T03973</b>	44	2213	926	1.55				
	BF 383	39.73	<b>BF3C14T03973</b>	44	2213	926		1.55			
	BF 483	40.60	<b>BF4C56T04060</b>	43	2954	1226	2.02				
	BF 483	40.60	<b>BF4C14T04060</b>	43	3985	1226		2.73			
	BF 483	40.60	<b>BF4L14T04060*</b>	43	3985	1226		2.73			
	BF 683	39.39	<b>BF6C14T03939*</b>	44	7101	2503		5.01			
	BF 683	39.39	<b>BF6L18T03939</b>	44	7101	2503			5.12		
	BF 683	39.39	<b>BF6C18T03939</b>	44	7262	2503			5.12		
	BF 883	41.50	<b>BF8C18T04150</b>	42	14612	4512			9.78		
BF 883	41.50	<b>BF8C21T04150</b>	42	14612	4512				9.78		
50:1	BF 383	49.38	<b>BF3C14T04938</b>	35	2213	1150		1.24			
	BF 483	54.49	<b>BF4C56T05449</b>	32	3964	1591	2.02				
	BF 483	49.65	<b>BF4C14T04965</b>	35	3985	1591		2.23			
	BF 683	51.96	<b>BF6C14T05196</b>	34	7262	2503		3.88			
	BF 883	49.80	<b>BF8C18T04980</b>	35	14612	4512			8.15		
60:1	BF 483	60.08	<b>BF4C14T06008</b>	29	3985	1591		1.84			
	BF 683	58.23	<b>BF6C14T05823</b>	30	7262	2503		3.46			
	BF 883	58.37	<b>BF8C14T05837</b>	30	10523	4512		5.01			
	BF 883	58.37	<b>BF8C18T05837</b>	30	14612	4512			6.95		
75:1	BF 483	83.25	<b>BF4C56T08325</b>	21	3985	1878	1.33				
	BF 483	83.25	<b>BF4C14T08325</b>	21	3985	1878		1.33			
	BF 483	75.45	<b>BF4L14T07545*</b>	23	3985	1878		1.47			
	BF 683	83.40	<b>BF6C56T08340</b>	21	6067	2503	2.02				
	BF 683	83.40	<b>BF6C14T08340</b>	21	7262	2503		2.42			
	BF 883	84.21	<b>BF8C14T08421</b>	21	14612	4512		4.82			
	BF 883	75.45	<b>BF8C18T07545</b>	23	14612	4512			5.38		
	BF 883	84.21	<b>BF8C18T08421</b>	21	14612	4512			4.82		
100:1	BF 683	99.55	<b>BF6C56T09955</b>	18	7046	2503	1.97				
	BF 683	99.55	<b>BF6C14T09955</b>	18	7262	2503		2.03			
	BF 883	103.38	<b>BF8C56T10338</b>	17	7521	4512		2.02			
	BF 883	103.38	<b>BF8C14T10338</b>	17	14612	4512		3.92			
150:1	BF 683	150.98	<b>BF6C56T15098</b>	12	7262	2503	1.34				
	BF 883	144.58	<b>BF8C56T14458</b>	12	10445	4512	2.01				
	BF 883	120.42	<b>BF8C14T12042</b>	15	14612	4512		3.37			
	BF 883	144.58	<b>BF8C14T14458</b>	12	14612	4512		2.81			
200:1	BF 883	193.24	<b>BF8C56T19324</b>	9	10992	4512	1.58				
	BF 883	193.24	<b>BF8C14T19324</b>	9	14612	4512		2.10			
250:1	BF 683	243.72	<b>BF6C56T24372</b>	7	7262	2503	0.83				
	BF 883	246.13	<b>BF8C56T24613</b>	7	11368	4512	1.28				
	BF 883	302.68	<b>BF8C56T30268</b>	6	11638	4512	1.07				

**Notes:** Refer to page 12 for RHB Drawing/Dimensions. Twin Tapered Bushings are not included in part number. Order as a separate item. \*3pc Coupling input.

# DIMENSIONS

## RHB Foot Mounted, Clamp Collar C-Face Reducers Twin Tapered Bushed



Size	Frame Size	A	B	C	E	J	Q	R	ØS	ØAJ	BB	ØBF	DB	EA	FA	FE	FL
<b>BF38</b>	56C	5.89	3.94	12.71	4.61	1.29	9.21	3.78	2.91	3.94	0.12	M8 x .55 DEEP	0.37	3.49	1.38	2.36	2.13
	140TC			13.38													
	180TC			13.70													
<b>BF48</b>	56C	6.89	4.33	13.87	5.51	1.18	10.37	4.39	3.75	4.53	0.12	M10 x .66 DEEP	0.43	4.10	1.58	2.76	2.68
	140TC			14.54													
	180TC			14.86													
<b>BF68</b>	56C	7.95	5.51	15.44	5.98	1.97	12.15	5.21	3.96	5.12	0.14	M12 x .82 DEEP	0.26	4.87	1.65	3.46	3.25
	140TC			16.11													
	180TC			17.69													
<b>BF88</b>	56C	8.876	6.69	17.72	6.69	2.17	14.64	5.79	4.88	6.50	0.14	M12 x .82 DEEP	0.79	5.44	1.89	4.53	3.80
	140TC			18.38													
	180TC			19.88													
	210TC			21.77													

Size	JC	ØMC	OA	QB	ØRD	SA
<b>BF38</b>	1.26	M10 x .67 DEEP	6.58	2.76	3.15	3.94
<b>BF48</b>	1.18	M10 x .67 DEEP	7.36	3.05	3.74	4.41
<b>BF68</b>	1.97	M12 x .83 DEEP	9.09	3.48	4.33	5.51
<b>BF88</b>	2.17	M16 x 1.10 DEEP	11.61	4.33	5.12	7.09

## Quantis RHB Twin Tapered Bushing Kits

Part Number	RHB 38 Twin Tapered Bushing Kit		
093105	1.3750"	Standard	Stock
093106	1.3125"	Standard	Stock
093107	1.2500"	Standard	Stock
093108	1.1875"	Standard	Stock
093109	1.1250"	Standard	Stock
093110	1.0000"	Standard	Stock
093111	35 MM	Standard	Non-Stock
093112	32 MM	Standard	Non-Stock
093113	30 MM	Standard	Non-Stock
093114	25 MM	Standard	Non-Stock
093115	1.1875"	Short Shaft	Non-Stock
093116	1.1250"	Short Shaft	Non-Stock
093117	1.0000"	Short Shaft	Non-Stock
093118	30 MM	Short Shaft	Non-Stock
093119	25 MM	Short Shaft	Non-Stock

Part Number	RHB 48 Twin Tapered Bushing Kit		
092593	1.5000"	Standard	Stock
092594	1.4375"	Standard	Stock
092595	1.3750"	Standard	Stock
092596	1.3125"	Standard	Non-Stock
092597	1.2500"	Standard	Stock
092598	1.1875"	Standard	Stock
092599	1.1250"	Standard	Stock
092600	1.0625"	Standard	Stock
092601	1.0000"	Standard	Stock
092602	40 MM	Standard	Non-Stock
092603	38 MM	Standard	Non-Stock
092604	35 MM	Standard	Non-Stock
092605	32 MM	Standard	Non-Stock
092606	30 MM	Standard	Non-Stock
092607	1.4375"	Short Shaft	Stock
092608	1.3750"	Short Shaft	Stock
092609	1.3125"	Short Shaft	Non-Stock
092610	1.2500"	Short Shaft	Stock
092611	1.1875"	Short Shaft	Stock
092612	1.1250"	Short Shaft	Stock
092613	1.0625"	Short Shaft	Non-Stock
092614	1.0000"	Short Shaft	Non-Stock
092615	35 MM	Short Shaft	Non-Stock
092616	32 MM	Short Shaft	Non-Stock
092617	30 MM	Short Shaft	Non-Stock

### Notes:

Standard Shaft Bushing Kit includes (2) standard bushings, (2) back-up plates, (4) retaining rings, hardware and key.

Short Shaft Bushing Kit includes (1) standard bushing, (1) long bushing with insertable wedge, (2) back-up plates, (4) retaining rings, hardware and key. Standard key provided for Short Shaft Kit. Key will overhang customer shaft within bore.

## Quantis RHB Twin Tapered Bushing Kits (continued)

Part Number	RHB 68 Twin Tapered Bushing Kit		
093121	1.8750"	Standard	Stock
093122	1.7500"	Standard	Stock
093123	1.6875"	Standard	Stock
093124	1.6250"	Standard	Stock
093125	1.5000"	Standard	Stock
093126	1.4375"	Standard	Stock
093127	1.3750"	Standard	Stock
093128	1.3125"	Standard	Stock
093129	1.2500"	Standard	Stock
093130	1.1875"	Standard	Stock
093131	1.1250"	Standard	Stock
093139	45 MM	Standard	Non-Stock
093140	42 MM	Standard	Non-Stock
093141	40 MM	Standard	Non-Stock
093142	38 MM	Standard	Non-Stock
093143	35 MM	Standard	Non-Stock
093144	32 MM	Standard	Non-Stock
093145	30 MM	Standard	Non-Stock
093132	1.5000"	Short Shaft	Non-Stock
093133	1.4375"	Short Shaft	Non-Stock
093134	1.3750"	Short Shaft	Non-Stock
093135	1.3125"	Short Shaft	Non-Stock
093136	1.2500"	Short Shaft	Non-Stock
093137	1.1875"	Short Shaft	Non-Stock
093138	1.1250"	Short Shaft	Non-Stock
093146	40 MM	Short Shaft	Non-Stock
093147	38 MM	Short Shaft	Non-Stock
093148	35 MM	Short Shaft	Non-Stock
093149	32 MM	Short Shaft	Non-Stock
093150	30 MM	Short Shaft	Non-Stock

### Notes:

Standard Shaft Bushing Kit includes (2) standard bushings, (2) back-up plates, (4) retaining rings, hardware and key.

Short Shaft Bushing Kit includes (1) standard bushing, (1) long bushing with insertable wedge, (2) back-up plates, (4) retaining rings, hardware and key. Standard key provided for Short Shaft Kit. Key will overhang customer shaft within bore.



## Quantis RHB Twin Tapered Bushing Kits (continued)

Part Number	RHB 88 Twin Tapered Bushing Kit		
092619	2.3750"	Standard	Non-Stock
092620	2.2500"	Standard	Non-Stock
092621	2.1875"	Standard	Stock
092622	2.1250"	Standard	Non-Stock
092623	2.0000"	Standard	Stock
092624	1.9375"	Standard	Stock
092625	1.8750"	Standard	Non-Stock
092626	1.7500"	Standard	Stock
092627	1.6875"	Standard	Non-Stock
092628	1.6250"	Standard	Non-Stock
092629	1.5000"	Standard	Stock
092630	1.4375"	Standard	Stock
092641	60 MM	Standard	Non-Stock
092642	55 MM	Standard	Non-Stock
092643	50 MM	Standard	Non-Stock
092644	45 MM	Standard	Non-Stock
092645	42 MM	Standard	Non-Stock
092646	40 MM	Standard	Non-Stock
092647	38 MM	Standard	Non-Stock
092648	35 MM	Standard	Non-Stock
092631	2.1875"	Short Shaft	Stock
092632	2.1250"	Short Shaft	Non-Stock
092633	2.0000"	Short Shaft	Stock
092634	1.9375"	Short Shaft	Stock
092635	1.8750"	Short Shaft	Non-Stock
092636	1.7500"	Short Shaft	Stock
092637	1.6875"	Short Shaft	Non-Stock
092638	1.6250"	Short Shaft	Non-Stock
092639	1.5000"	Short Shaft	Stock
092640	1.4375"	Short Shaft	Stock
092649	55 MM	Short Shaft	Non-Stock
092650	50 MM	Short Shaft	Non-Stock
092651	45 MM	Short Shaft	Non-Stock
092652	42 MM	Short Shaft	Non-Stock
092653	40 MM	Short Shaft	Non-Stock
092654	38 MM	Short Shaft	Non-Stock
092655	35 MM	Short Shaft	Non-Stock

### Notes:

Standard Shaft Bushing Kit includes (2) standard bushings, (2) back-up plates, (4) retaining rings, hardware and key.

Short Shaft Bushing Kit includes (1) standard bushing, (1) long bushing with insertable wedge, (2) back-up plates, (4) retaining rings, hardware and key. Standard key provided for Short Shaft Kit. Key will overhang customer shaft within bore.



---

P.O. Box 2400, Fort Smith, AR 72902-2400 U.S.A., Ph: (1) 479.646.4711, Fax (1) 479.648.5792, International Fax (1) 479.648.5895

**Baldor-Dodge**

6040 Ponders Court, Greenville, SC 29615-4617 U.S.A., Ph: (1) 864-297-4800, Fax: (1) 864-281-2433

[www.baldor.com](http://www.baldor.com)